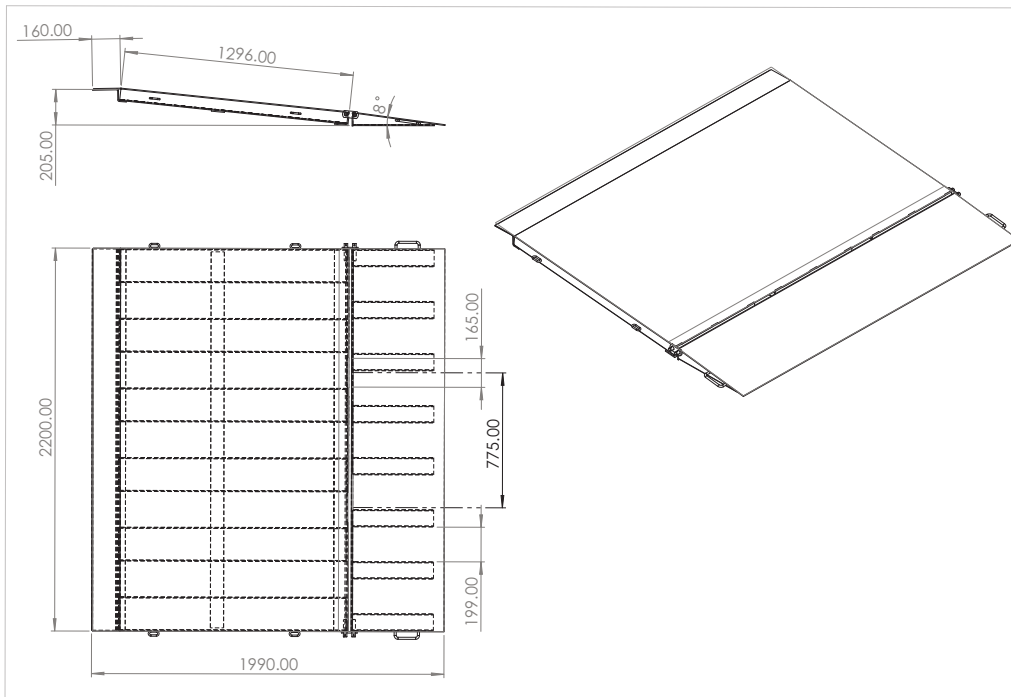


7 Tonne Capacity Container Ramp

This container ramp is designed primarily for bridging into a standard container from ground level that is slightly uneven due to its self-levelling lip. The ramp footing fold has handles which you can easily fold back to move the ramp using the fork slots. Finished in painted yellow and supplied with chain & D shackle, the 7 Tonne container ramp is ready for immediate delivery.



Code	Load Capacity (kg)	Width (mm)	Length (mm)	Fork Pocket Centres (mm)	Fork Pocket Size (mm)	Unit Weight (kg)
V4020	7000	2200	2000	775	165x60	275